



BLACKHAWK
SPECIALTY TOOLS

ENGINEERED CEMENTING SOLUTIONS

SKYHOOK™ WIRELESS CEMENT LINE

MAKE UP DEVICE

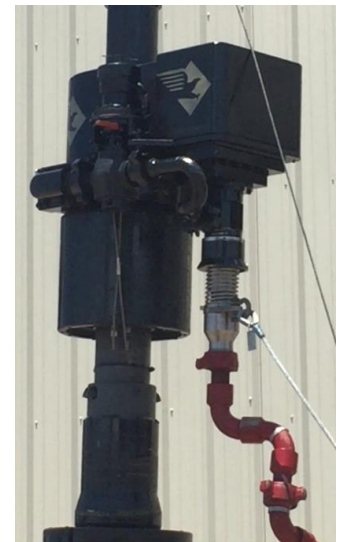
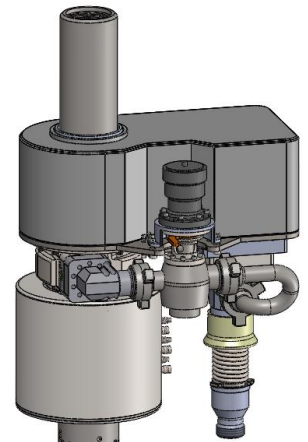
Blackhawk's SkyHook™ Wireless Cement Line Make Up Device allows operators to make up their cementing iron or hose without the need to send rig personnel above the rig floor. Featuring the most advanced wireless automation system available, the SkyHook™ incorporates a vast array of industry-exclusive technologies and features focused on safety, speed, and efficiency. Blackhawk continues to refine what is the most versatile dart and ball launching cement head currently on the market.

FEATURES

- Fully-wireless automation system eliminates hydraulic umbilical line and operating console.
- Mud saver feature holds back cement line fluid (head pressure only) during lifting and prevents mud from falling to rig floor when the cement line is disconnected.
- Fully compatible with existing high pressure cement hose or cement line (2" 1502 connection)
- Primary and secondary locking mechanisms robustly secure stinger until release command is given, guarding against accidental disconnect.
- Proximity switches indicate proper stinger locking and provide indication on rig floor before any cementing operations occur.
- Custom wire rope spooling system maintains orderly cable spooling for smooth deployment and retraction.
- Lotorq valve permanently mounted to allow for racking back the head, reducing concern for damage or separation
- Simple rigging of snatch block for snubbing-off torque plate
- Manual override for all of the wireless features

VALUE

- Continuous wireless link monitoring; radio signal filtering blocks Wi-Fi and Bluetooth interference for increased reliability.
- Mud saver feature reduces rig clean up after disconnecting the cement line.
- When used in conjunction with Blackhawk's Wireless Cement Head, there is no need to send a man in a basket or riding belt, greatly improving safety.
- Saves rig time by allowing faster cement line rig up than conventional methods.



SPECIFICATIONS

SkyHook™	
Maximum Working Pressure	10,000 psi*
Maximum Pick Up Load	1,000 lbs**
Maximum Operating Height	150 ft
Line Lift Speed	30 ft/min
Maximum Pump Rate	15 bpm through 2" 1502

* When stinger is in the fully-stabbed and locked position

** Cement line weight should be picked up with rig's tugger line

WIRELESS REMOTE CONTROL

